

67" ISADORA DOUBLE ACRYLIC SLIPPER TUB

Cat. No.
ADTS67



L: 67"
W: 29-1/2"
H: 24" (from floor) short end
30" (from floor) tall end
18" (from bottom of tub) short end
24" (from bottom of tub) tall end

Water Depth: 11-1/2" to OF

The following is recommended for ADTS67 slipper tubs:

- Faucets: part #4602, #7393, or # 7410
- Freestanding Bath Supplies: #4502-PL
- Leg tub drain: part #5599

Gallon Capacity: 50
Shipping Weight: 150 lbs.
Empty Weight: 100 lbs.
Filled Weight: 518 lbs.

Features:

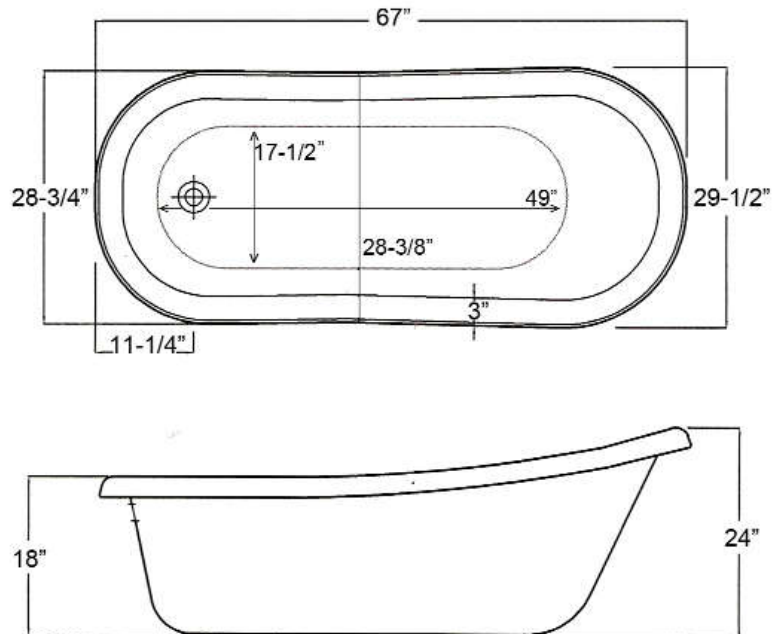
- ▶ Smooth white acrylic surface inside and out
- ▶ Double-walled acrylic
- ▶ No faucet holes
- ▶ Pre-drilled overflow hole
- ▶ Aluminum ball and claw feet
- ▶ Tubs ship with feet attached and leveled
- ▶ Tubs are thoroughly inspected before shipment



Foot Finishes:

BQ Bisque	BN Brushed Nickel
BL Black	CP Polished Chrome
BP Polished Brass	PN Polished Nickel
ORB Oil Rubbed Bronze	WH White

Custom Colors Available (inside of tub is always white enamel):
Painted bathtubs are considered "special order" and are not returnable
\$160 Bisque or Black \$250 Designer Color



Dimensions are nominal and specifications subject to change without notice.

TUB WALL MOUNT FILLER WITH HANDSHOWER

Cat. No.
4602



Adjustable Swivel Mounts

Features:

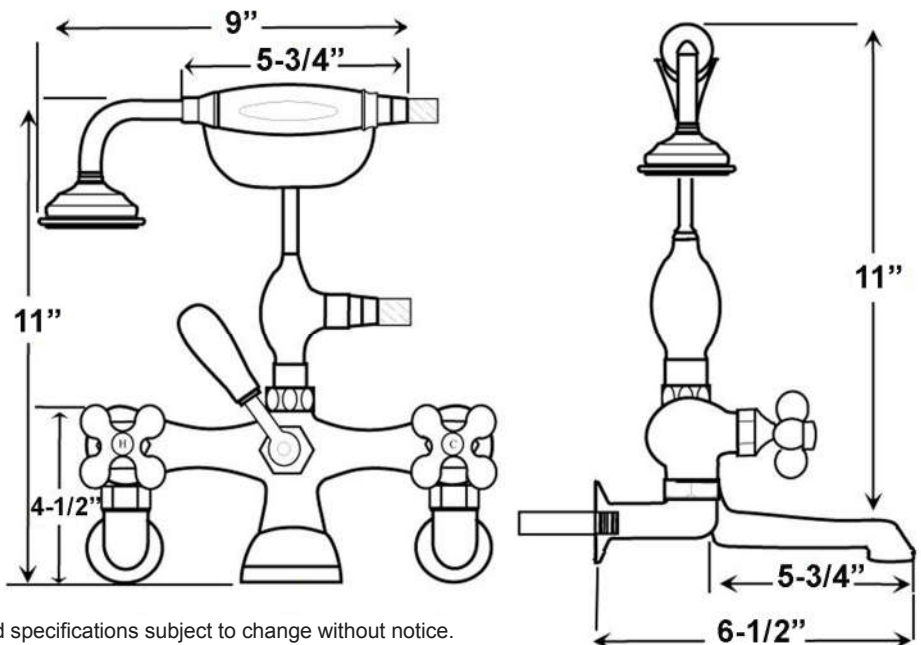
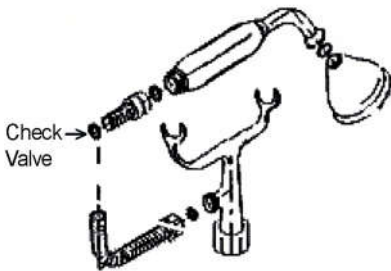
- ▶ Brass construction
- ▶ Elephant spout length is 5-³/₄"
- ▶ Flow rate is 3.7 GPM
- ▶ Available with porcelain lever (**4602-PL**) or metal cross handles (**4602-MC**)
- ▶ Telephone handshower with cradle and hose
- ▶ Handshower flow rate 2.5 GPM
- ▶ Handshower includes backflow preventer
- ▶ Swivel mounts adjust centers from 3" to 12"
- ▶ Faucet centers are 7" without swivel mounts
- ▶ For tub wall mount installation
- ▶ ¼ turn ceramic disc cartridges
- ▶ IAPMO approved
- ▶ To be used with double offset bath supplies, **Part #5576**
- ▶ This faucet can also be used with rigid freestanding supplies, **Part #4502** with adjustable swivel mounts removed



Finishes:

BP Polished Brass
CP Polished Chrome
ORB Oil Rubbed Bronze

SN Brushed Nickel
PN Polished Nickel



Dimensions are nominal and may vary. Dimensions and specifications subject to change without notice.

FREESTANDING BATH SUPPLIES

Cat. No.
4502-PL



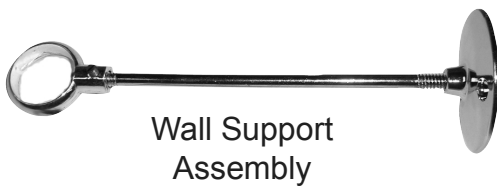
Features:

- ▶ 5" Shaft included
 - ▶ Stops included
 - ▶ 1/2" Pipe thread inlet
 - ▶ 3/4" Flare outlet
 - ▶ Wall support assemblies included
 - ▶ Porcelain lever handles
 - ▶ IAPMO approved
 - ▶ Available in 5 finishes
 - ▶ Should not be used with leg tubs that have factory drilled holes.
- ▶ 0.800" Outer diameter
 - ▶ 0.595" Inner diameter
 - ▶ 0.090" Thickness of wall

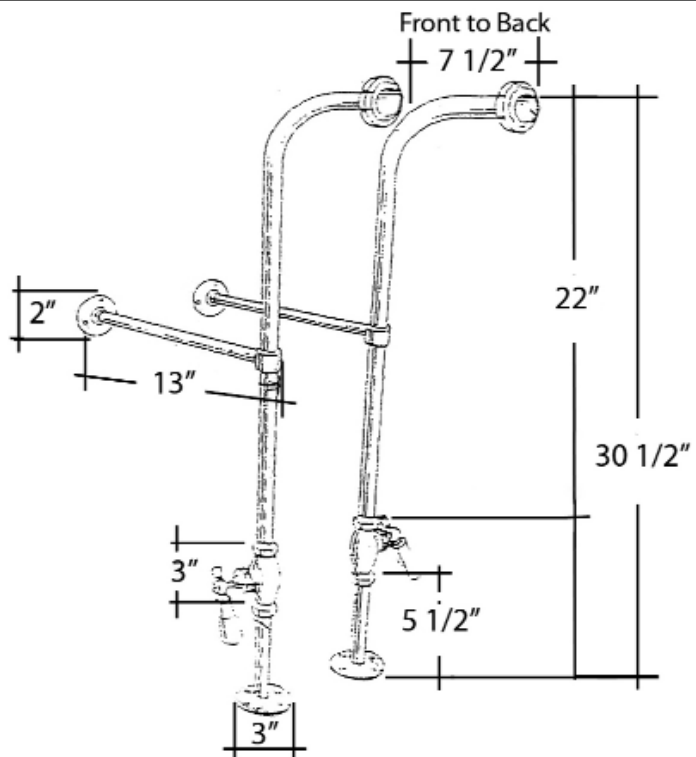
Finishes:

- CP Polished Chrome
- PN Polished Nickel
- BP Polished Brass
- ORB Oil Rubbed Bronze
- SN Brushed Nickel

H: 30" (30-1/2" with nut)



Wall Support
Assembly



Use on concrete floors requires special installation. We recommend using a plumbing professional.

Dimensions are nominal and may vary. Dimensions and specifications subject to change without notice.

LEG TUB DRAIN

Cat. No.
5599



Escutcheon Height: 1-1/4"

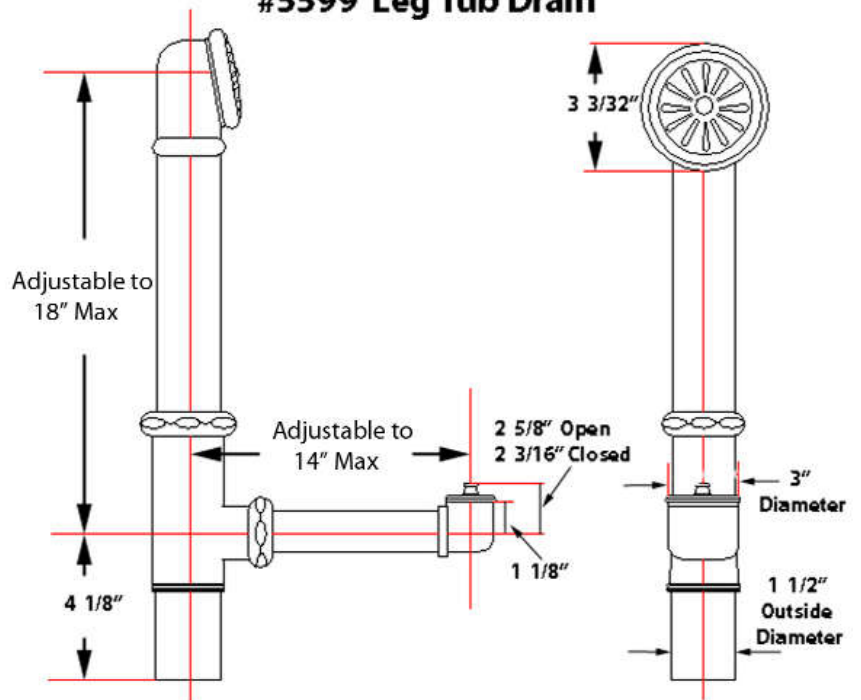
Features:

- ▶ Twist-and-lift stopper
- ▶ Includes deep escutcheon
- ▶ Height adjustable 15"-18"
- ▶ Depth adjustable 12"-14"
- ▶ Includes deep escutcheon
- ▶ IAPMO approved
- ▶ Available in 5 Finishes

Finishes:

- CP** Polished Chrome
- BP** Polished Brass
- SN** Brushed Nickel
- PN** Polished Nickel
- ORB** Oil Rubbed Bronze

#5599 Leg Tub Drain



Dimensions and specifications subject to change without notice.

"D" SHAPED SHOWER ROD

Cat. No.
4145



"D" Rod Loop Connector



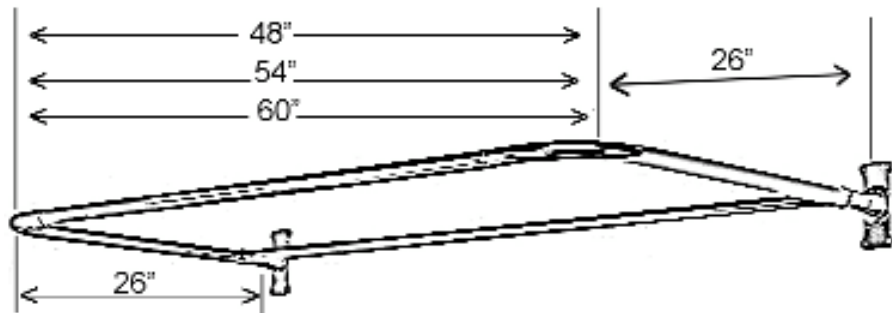
Rectangular Flange

Features:

- ▶ 1" Solid brass tubing
- ▶ Includes rectangular flanges(#300)
- ▶ Includes two "D" rod loop connectors (#331)
- ▶ Available In 3 Sizes: 48", 54", and 60"
(#4145-48, #4145-54, and #4145-60)
- ▶ All rods come as four pieces
- ▶ Ceiling Supports Available (#340)
- ▶ Available in 5 finishes

Finishes:

CP Polished Chrome
SN Brushed Nickel
BP Polished Brass
ORB Oil Rubbed Bronze
PN Polished Nickel



**Measurements Show Different
Lengths For Each Size Rod.**

Dimensions are nominal and may vary. Dimensions and specifications are subject to change without notice.